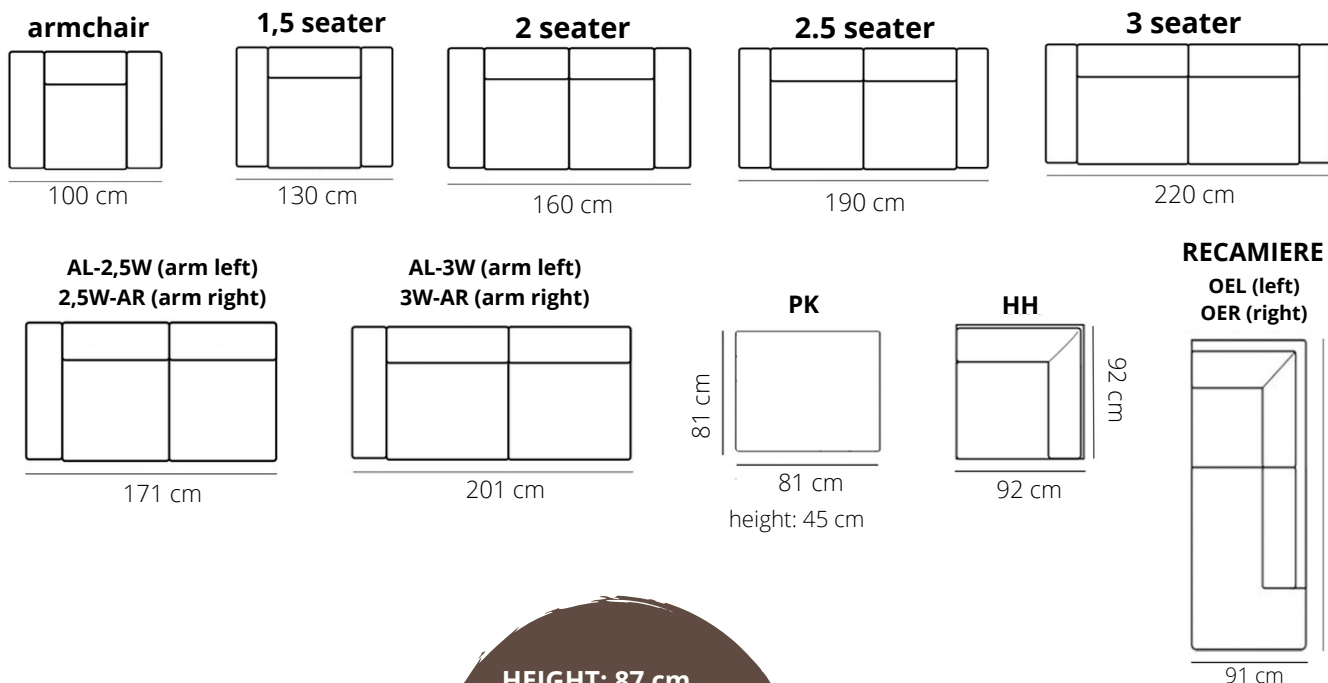


MILWAUKEE - MINNESOTA



ELEMENTS



HEIGHT: 87 cm
DEPTH: 94 cm
SEAT DEPTH: 61 cm
SEAT HEIGHT: 45 cm
ARM HEIGHT: 65 cm

STITCHING



only available in leather or L60 oklahoma/Colorado and fabrics Hunter

open seam



available in leather and fabrics

pinched seam

LEGS



M1



dark wood



black

MINNESOTA



straight arm

MILWAUKEE



slanted arm

PRODUCT INFO

FRAME



beechwood



chipboard

FILLING

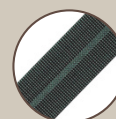
BACK



foam HR 23



fibre wool



elastic belts

SEAT



foam HR 43



fibre wool



no-sag springs

SUSPENSION